

**SPECIFICATION DATA SHEET**

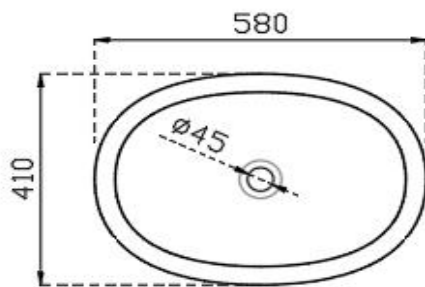
**PRODUCT DETAILS**

<b>Manufacturer :</b>	Artize	<b>Type:</b>	Under Counter basin
<b>Outlet</b>	Vertical	<b>Colour:</b>	White
<b>Technical Details:</b>	ID of waste outlet hole dia. $\varnothing 45 \pm 3$ mm	<b>Material:</b>	Ceramic-FFC
Horizontal distance between the Bowl edge and the centre line of the waste outlet hole $\leq 205$ mm			

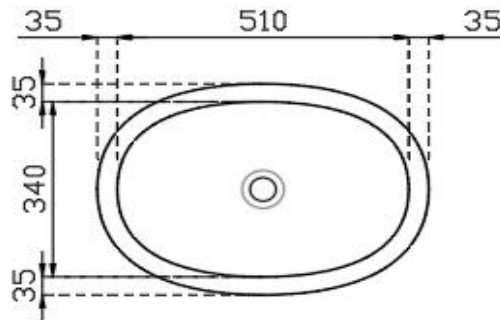
**PRODUCT IMAGE**



**TECHNICAL DRAWING**



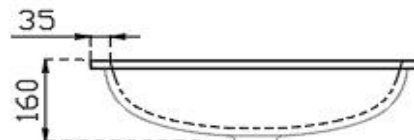
TOP VIEW



TOP VIEW



SIDE VIEW



BACK VIEW

<b>Product Dimension</b>	580x410x160 mm	<b>FEATURES</b> Oval Shape, Deep Bowl Area, Anti-germ glaze with Victorian look and Elegant Design.
<b>Basin Inner Dimension</b>	510x340x135 mm	
<b>Product Weight</b>	8.10 kg.	

**ACCESSORIES INCLUDED**

Under Counter Clamp	ZPS-MST-FB06
Template	Template

**CERTIFICATION**

**Compliance :** EN 14688:2015 (E), EN 997 :2012+A1:2015



DISCLAIMER: Our every effort has been made to ensure factual accuracy, the information presented subject to changes due to requirements in different sites, markets and/ or countries. All dimensions are in mm (Tolerance  $\pm 5$  MM). Jaquar reserves the right to make the necessary amendments at any time without prior notice.